



GAI-TRONICS®
A HUBBELL COMPANY

Model 13380-xxx Series Loudspeakers Instruction and Service Manual

This manual covers the following loudspeaker models:

- Model 13380-001, 8-ohm, 15 watts, 10.95 volts
- Model 13380-002, 16-ohm, 15 watts, 15.49 volts
- Model 13380-003, 70 V line, 15 watts, 70 volts
- Model 13380-004, 100 V line, 15 watts, 100 volts



GAI-TRONICS®
A Hubbell Company

INSTRUCTION & SERVICE MANUAL

13380-XXX 15W LOUDSPEAKERS

For Use In Hazardous Locations

- 15 Watt Loudspeaker
- 70V or 100V Line Transformer with 15W, 7.5W, 3W and 1W tapings
- 8 ohm or 16 ohm
- Type 4 / 4X / 13
- Operating Temperature Range -20°C to +55°C



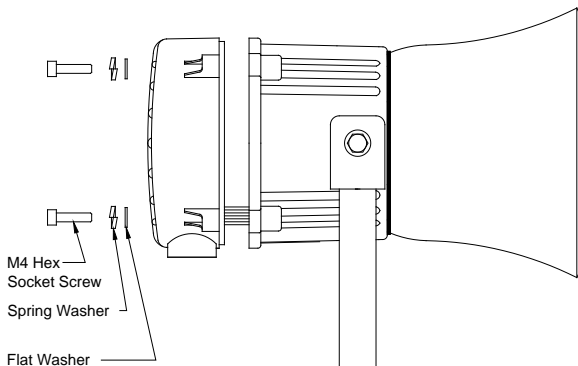
Unit Type No. 13380-XXX

Impedance: 8 ohm or 16 ohm
70V Line or 100V Line

Max. Operating Temperature / Code at +55°C Ambient	
Hazardous Location	Temperature Code
Class I, Division 2, Groups A, B, C, D	T4 (135°C)
Class II, Division 2, Groups F and G	T6 (85°C)
Class III, Divisions 1 and 2	T6 (85°C)

Max. Operating Temperature / Code at +40°C Ambient	
Hazardous Location	Temperature Code
Class I, Division 2, Groups A, B, C, D	T4A (120°C)

The equipment is suitable for use in the hazardous locations listed above or non-hazardous locations only.

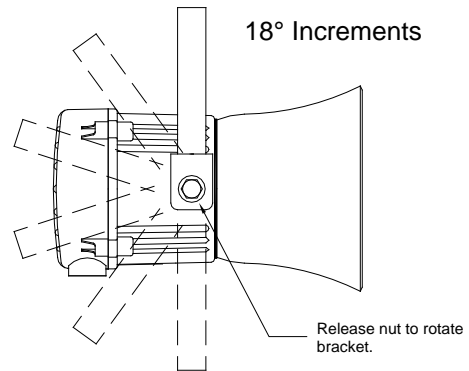


WARNING – DO NOT OPEN WHEN ENERGISED

CAUTION – DO NOT OPEN WHEN AN EXPLOSIVE GAS OR DUST ATMOSPHERE IS PRESENT

MOUNTING

The 13380 15W loudspeaker must be mounted using the rotating bracket as shown.



WARNING – EXPLOSION HAZARD - SUBSTITUTION OF COMPONENTS MAY IMPAIR SUITABILITY FOR CLASS I, II DIVISION 2.

WIRING INSTALLATION

The 13380 15W loudspeaker is provided with 1 M20 x 1.5 cable entry and one ½” NPT cable entry. The M20 entry is provided with a stopping plug in place.

Installation using Cable Glands without Field Wiring Leads

The cable connections are made into the terminal blocks on the electronic PCB assembly. Terminal blocks are suitable for field wiring (AWG 18-12). Strain relief has to be ensured by installation with a suitable cable gland. Follow the markings for the terminals on the PCB and install wiring as shown in the diagram below.

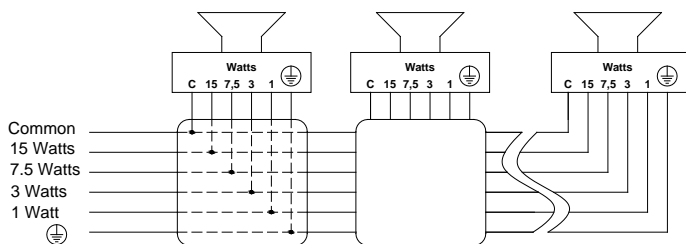
Cable glands need to be UL certified to ANSI/UL 2225 or C22.2 NO. 174-M1984, and to UL514B / CSA-C22.2 No. 18.3-12, ratings for hazardous locations must be equal to or better than the rating of the sounder used.

If a high IP (Ingress Protection) rating is required then a suitable sealing washer must be fitted under the cable gland.

WARNING – ALL ELECTRICAL WIRING MUST BE INSTALLED IN ACCORDANCE TO THE NATIONAL ELECTRICAL CODE

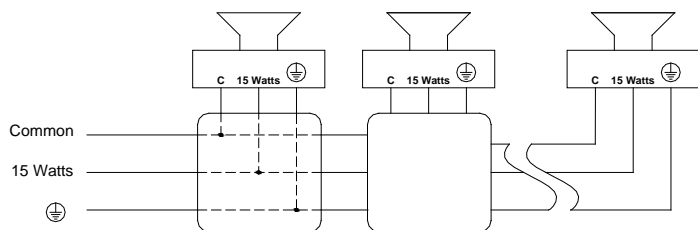
100V and 70V Loudspeakers

- White Common
- Red 15 Watts
- Orange 7.5 Watts
- Yellow 3 Watts
- Violet 1 Watt
- Green/Yellow Ground



8 ohm and 16 ohm Loudspeakers

- Black Common
- Red 15 Watts
- Green/Yellow Ground



POWER AMPIFIER SELECTION

It is important that the 13380 15W loudspeakers are connected to power amplifiers that have outputs that are compatible to the type of loudspeaker being used. Loudspeakers with a 70V or 100V line matching transformer fitted must be connected to a power amplifier with a 70V or 100V line output. Low impedance 8 ohm or 16 ohm loudspeakers must be connected to amplifiers with a suitable low impedance output.

Unit Type	Input	Wattage	Max. I/P Volts
13380-001	8 ohm	15 Watt	10.95V
13380-002	16 ohm	15 Watt	15.49V
13380-004	100V Line	15 Watt	100V
13380-003	70V Line	15 Watt	70V

WARNING – HIGH VOLUME MAY CAUSE HARM TO PERSONNEL IN CLOSE PROXIMITY

Warranty

Equipment. GAI-Tronics warrants for a period of one (1) year from the date of shipment, that any GAI-Tronics equipment supplied hereunder shall be free of defects in material and workmanship, shall comply with the then-current product specifications and product literature, and if applicable, shall be fit for the purpose specified in the agreed-upon quotation or proposal document. If (a) Seller's goods prove to be defective in workmanship and/or material under normal and proper usage, or unfit for the purpose specified and agreed upon, and (b) Buyer's claim is made within the warranty period set forth above, Buyer may return such goods to GAI-Tronics' nearest depot repair facility, freight prepaid, at which time they will be repaired or replaced, at Seller's option, without charge to Buyer. Repair or replacement shall be Buyer's sole and exclusive remedy. The warranty period on any repaired or replacement equipment shall be the greater of the ninety (90) day repair warranty or one (1) year from the date the original equipment was shipped. In no event shall GAI-Tronics warranty obligations with respect to equipment exceed 100% of the total cost of the equipment supplied hereunder. Buyer may also be entitled to the manufacturer's warranty on any third-party goods supplied by GAI-Tronics hereunder. The applicability of any such third-party warranty will be determined by GAI-Tronics.

Services. Any services GAI-Tronics provides hereunder, whether directly or through subcontractors, shall be performed in accordance with the standard of care with which such services are normally provided in the industry. If the services fail to meet the applicable industry standard, GAI-Tronics will re-perform such services at no cost to buyer to correct said deficiency to Company's satisfaction provided any and all issues are identified prior to the demobilization of the Contractor's personnel from the work site. Re-performance of services shall be Buyer's sole and exclusive remedy, and in no event shall GAI-Tronics warranty obligations with respect to services exceed 100% of the total cost of the services provided hereunder.

Warranty Periods. Every claim by Buyer alleging a defect in the goods and/or services provided hereunder shall be deemed waived unless such claim is made in writing within the applicable warranty periods as set forth above. Provided, however, that if the defect complained of is latent and not discoverable within the above warranty periods, every claim arising on account of such latent defect shall be deemed waived unless it is made in writing within a reasonable time after such latent defect is or should have been discovered by Buyer.

Limitations / Exclusions. The warranties herein shall not apply to, and GAI-Tronics shall not be responsible for, any damage to the goods or failure of the services supplied hereunder, to the extent caused by Buyer's neglect, failure to follow operational and maintenance procedures provided with the equipment, or the use of technicians not specifically authorized by GAI-Tronics to maintain or service the equipment. **THE WARRANTIES AND REMEDIES CONTAINED HEREIN ARE IN LIEU OF AND EXCLUDE ALL OTHER WARRANTIES AND REMEDIES, WHETHER EXPRESS OR IMPLIED BY OPERATION OF LAW OR OTHERWISE, INCLUDING ANY WARRANTIES OF MERCHANTABILITY OR FITNESS FOR A PARTICULAR PURPOSE.**

Return Policy

If the equipment requires service, contact your Regional Service Center for a return authorization number (RA#). Equipment should be shipped prepaid to GAI-Tronics with a return authorization number and a purchase order number. If the equipment is under warranty, repairs or a replacement will be made in accordance with the warranty policy set forth above. Please include a written explanation of all defects to assist our technicians in their troubleshooting efforts.

Call 800-492-1212 (inside the USA) or 610-777-1374 (outside the USA) for help identifying the Regional Service Center closest to you.